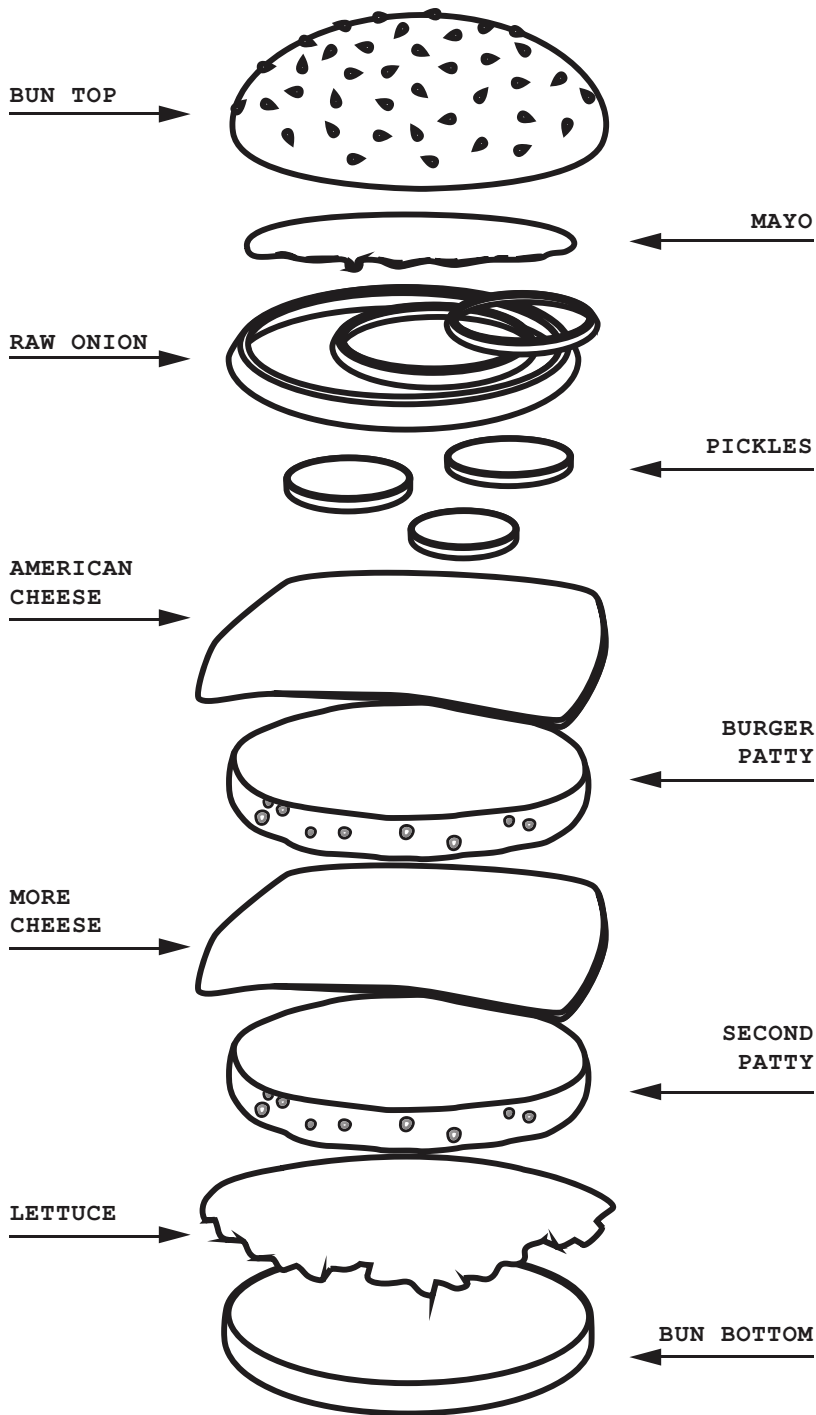


2700 N MILWAUKEE /// CHICAGO, IL /// PARTSANDLABORCHICAGO.COM



PARTS and LABOR

Classic Double Burger \$5
 Double patty, double cheese, onion, lettuce,
 pickles, mayo.
**black bean patty available*

Add Patty \$2
 Add Bacon \$1

make it a
\$10 COMBO

Classic or black bean burger
 a side **and** a shot or beer for **\$10**

SIDES \$3	SWILL \$3	SHOTS \$3
Fried Giardinara	Pabst	Jameson
Curly Fries	Hamms	Old Crow
Onion Rings	High Life	Old Heaven Hill
Fried Pickles	Coors Banquet	Old Fitzgerald
Simple Salad	Old Milwaukee	Fernet Branca
	American	Rachero Silver
		Malort

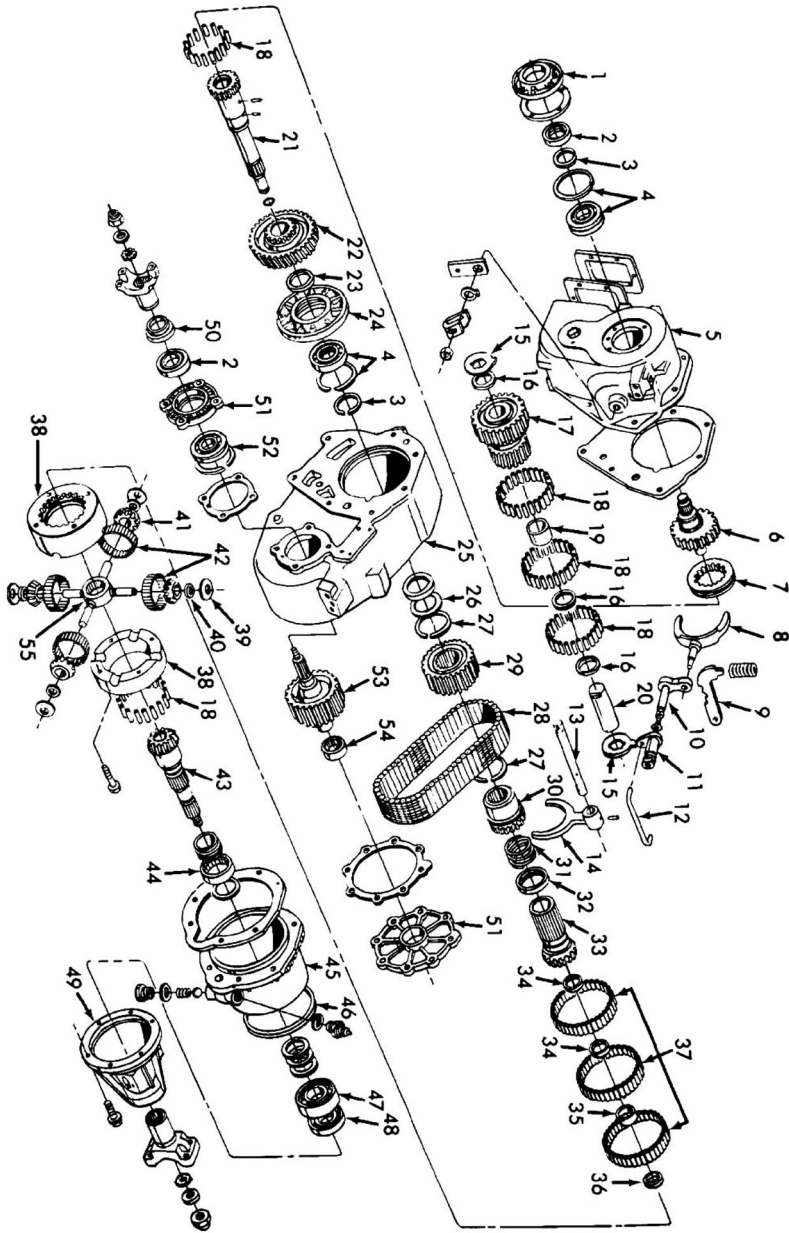
PARTS and LABOR

SODAS \$4

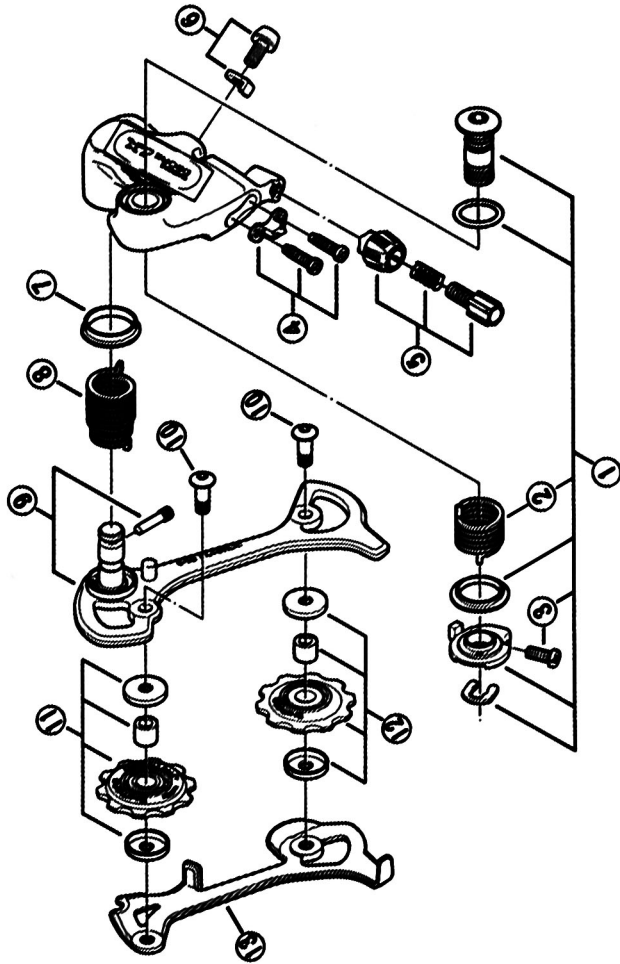
- Mexican Coca-Cola
- Fanta Orange
- Gosslings Ginger Beer
- San Pellegrino Blood Orange
- San Pellegrino Lemon
- Green River
- Dry Soda Cucumber
- Dry Soda Apple
- Joia Grapefruit with Chamomile and Cardamom
- Maraschino Cherry Cola
- Sioux City Prickly Pear
- Goose Island Grape Concord
- Goose Island Orange Cream
- IBC Root Beer
- Argo Ice Tea
- Caruso Legacy Black Cherry
- Loca Cola (natural Diet Cola)

LARGE FORMAT BEERS \$14

- Brew Dog
- Pipeworks
- Lagunitas



PARTS and LABOR



SIDES \$3

Fried Giardinara
Curly Fries
Onion Rings
Fried Pickles
Simple Salad

SALADS

Simple Salad \$3

Iceberg, tomato, onion, cucumber
Oil & Vinegar, Good Ranch or Blue Cheese

Cheeseburger Salad \$7

Iceberg, ground beef, bacon, tomato, onion,
cucumber, American cheese, pickles

DESERTS \$5

Fried Twinkie with raspberry sauce
Root Beer Float*
Green River Float*

**Spike your float with your choice of shot!*